

REGENCY®

CEILING FANS

Style that revolves around you.

• CEILING FAN OWNER'S MANUAL •



• GLADIATOR (GL2) • with DC motor

10/07

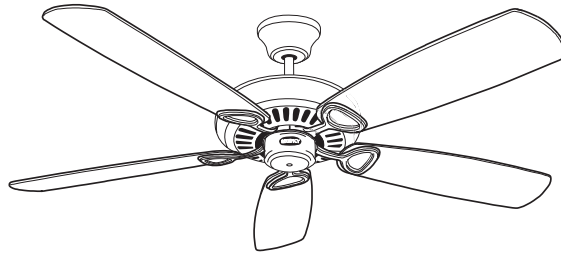
WARNING: Read and follow these instructions carefully and be mindful of all warnings shown throughout.

IMPORTANT SAFEGUARDS:

1. To ensure the success of the installation, be sure to read the instructions and review the diagrams thoroughly before beginning.
2. To avoid possible electric shock, be sure electricity is turned off at the main power box before wiring. All electrical connections must be made in accordance with local codes, ordinances and/or the National Electric Code. If you are unfamiliar with the methods of installing electrical wiring and products, secure the services of a qualified and licensed electrician as well as someone who can check the strength of the supportive ceiling members and make the proper installation(s) and connections.
3. Make sure that your installation site will not allow rotating fan blades to come in contact with any object. Blades should be at least 7 feet from floor.
4. When mounting on a ceiling outlet box, an approved box UL listed as "**suitable for fan support**" is required. The box and its supporting members must be able to support the moving weight of the fan's listed weight. The box must not be able to twist or work loose. Installation on a concrete ceiling should be performed by qualified personnel.
5. Blades should be attached after motor housing is hung and in place. Fan motor housing should be kept in the carton until ready to be installed to protect its finish. If you are installing more than one ceiling fan, make sure that you **do not mix fan blade sets**, as each blade is part of a weighted set.
6. After making electrical connections, spliced conductors should be turned upward and pushed carefully up into outlet box. The wires should be spread apart with the common conductor and the grounding conductor on one side of the outlet box, and the "HOT" wires on the other side.
7. Electrical diagrams are for reference only. Light kits that are not packed with the fan must be UL listed and should be installed per the light kit's installation instructions.
8. After fan is completely installed, check to make sure that all connections are secure to prevent fan from falling and/or causing damage or injury.
9. The fan can be made to work immediately after installation - the bearings are adequately charged with grease so that, under normal conditions, further lubrication should not be necessary for the life of the fan.
10. To operate the reverse function on this fan, press the reverse button while the fan is running.

Weight of Fan: 24.9 Lbs

*Thank you for choosing a Regency Ceiling Fan. You have chosen the best!
Your new ceiling fan has been designed to provide many years of service and enjoyment.*



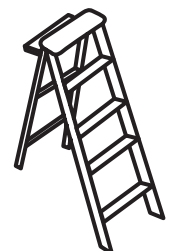
Warnings:

- **Disconnect power by removing fuse or turning off circuit breaker before installing the fan and/or optional lighting.**
- Support directly from building structure.
- To reduce the risk of fire, electric shock, or personal injury, mount to outlet box marked "**acceptable for fan support**" and use mounting screws provided with the outlet box. Most outlet boxes commonly used for the support of lighting fixtures are not acceptable for fan support and may need to be replaced. Consult a qualified electrician if in doubt.
- Do not use an incandescent light dimmer. Do not use this fan with any transformer type fan speed control device.
- To reduce the risk of personal injury, do not bend the blade arms when installing them, balancing the blades or cleaning the fan. Do not insert any objects(s) between rotating fan blades.

NOTE:The important precautions, safeguards and instructions appearing in this manual are not meant to cover all possible conditions and situations that may occur. It must be understood that common sense, caution and carefulness are factors which cannot be built into this product. These factors must be supplied by the person(s) installing, caring for, and operating the unit.

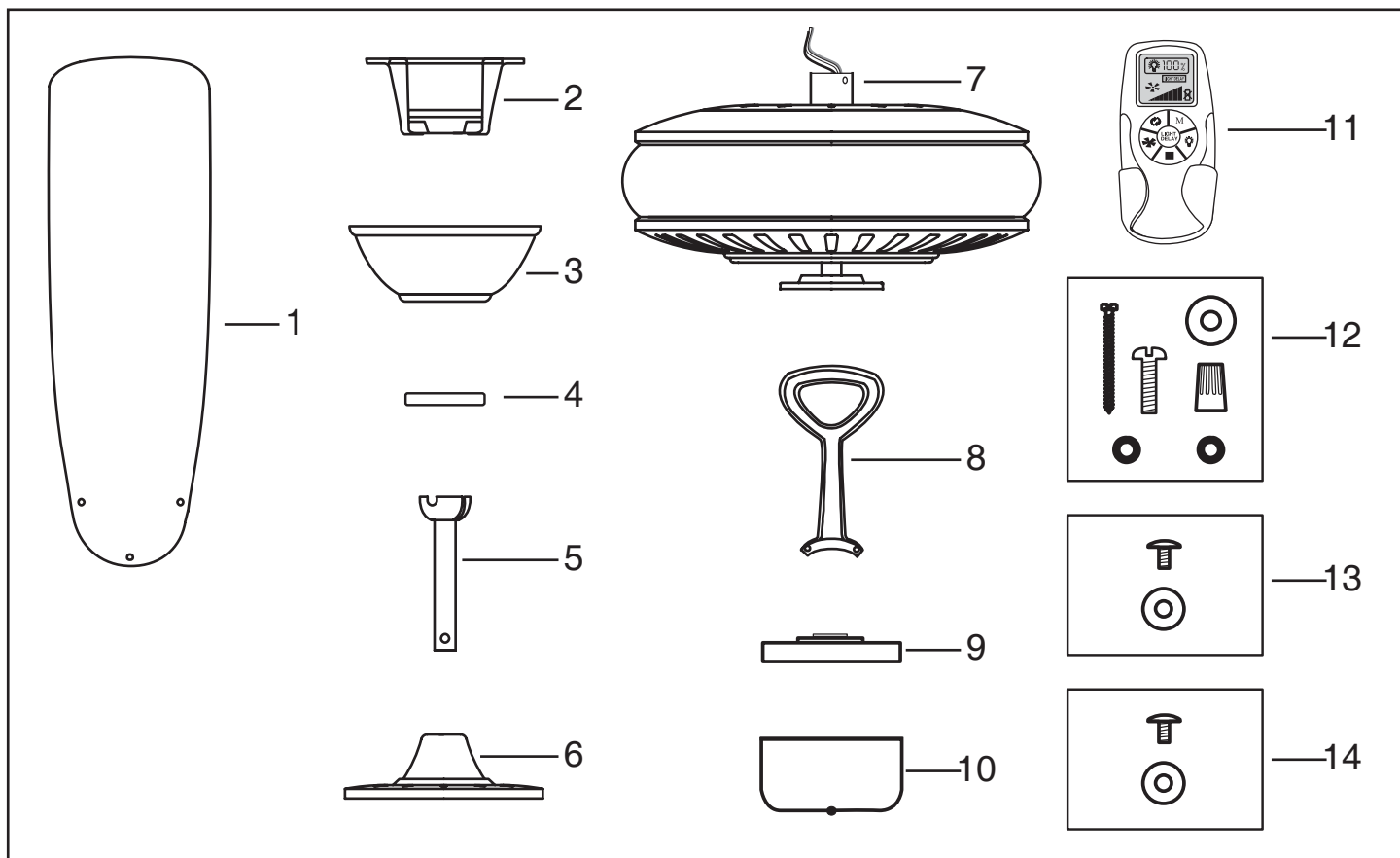
TOOLS AND MATERIALS REQUIRED

- Phillips screwdriver
- Blade screwdriver
- Wrench or pliers
- Wire cutter
- Stepladder
- Wiring supplies as required by electrical code



1. Unpack your fan and check the contents. Do not discard the carton. If warranty replacement or repair is ever necessary, the fan should be returned in original packing. Remove all parts and hardware. Do not lay motor housing on its side, or the decorative housing may shift, be bent or damaged.

2. Examine all parts. You should have the following:



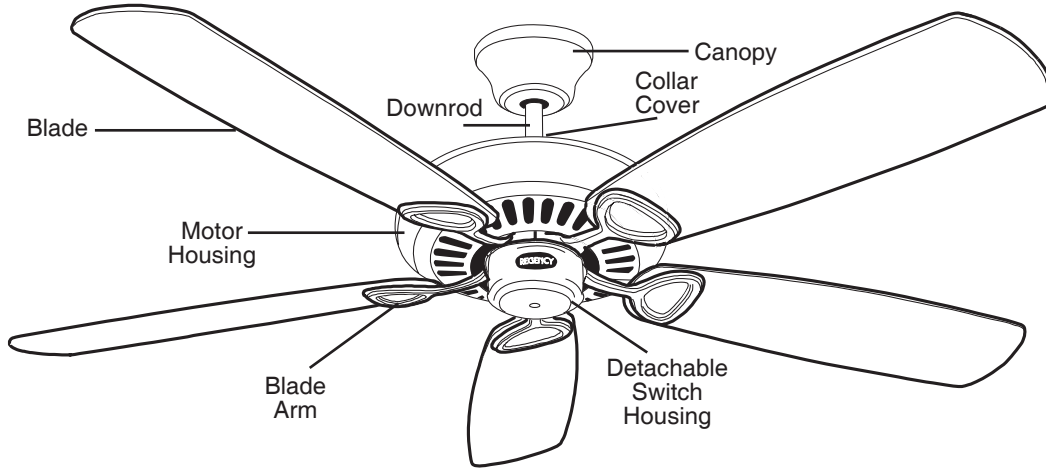
1. Fan blades (5) **(Packed in separate box.)**
2. Hanging bracket
3. Ceiling canopy
4. Canopy screw cover plate
5. Downrod/ball assembly
6. Decorative collar cover
7. Fan housing with motor (Remove and discard rubber shipping supports around motor, if included on your fan. Save screws.)
8. Blade arms (5)
9. Detachable switch housing mounting plate
10. Detachable switch housing
11. Transmitter+holder+2 mounting screws
12. Bracket mounting hardware (wood screws, screws, lock washers, washers, wire nuts)
- 13 and 14. Blade to blade arm screws, w/washers (15) * 2 set of screws are provided—a long set and a short set, depending on which type of blades you choose for your fan.

NOTE: Design of parts shown above may look slightly different for your specific model of fan.

PREPARATION



Parts identification on assembled fan



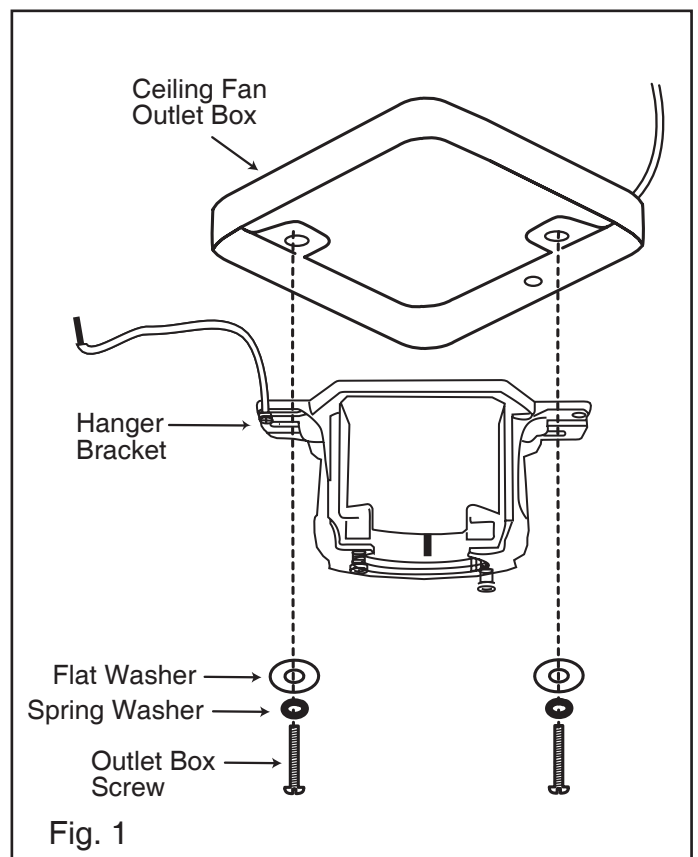
PREPARATION:

Verify you have all parts before beginning the installation. Check foam insert closely for missing parts. Remove motor from packing. To avoid damage to finish, assemble motor on soft padded surface or use the original foam inset in motor box. **Do not lay motor housing on its side as this could result in shifting of motor in decorative enclosure.**

INSTALLING THE HANGING BRACKET

Caution: To avoid possible electrical shock, be sure electricity is turned off at the main power box before wiring. All wiring must be in accordance with National and Local Electrical Codes and the ceiling fan must be grounded as a precaution against possible electric shock.

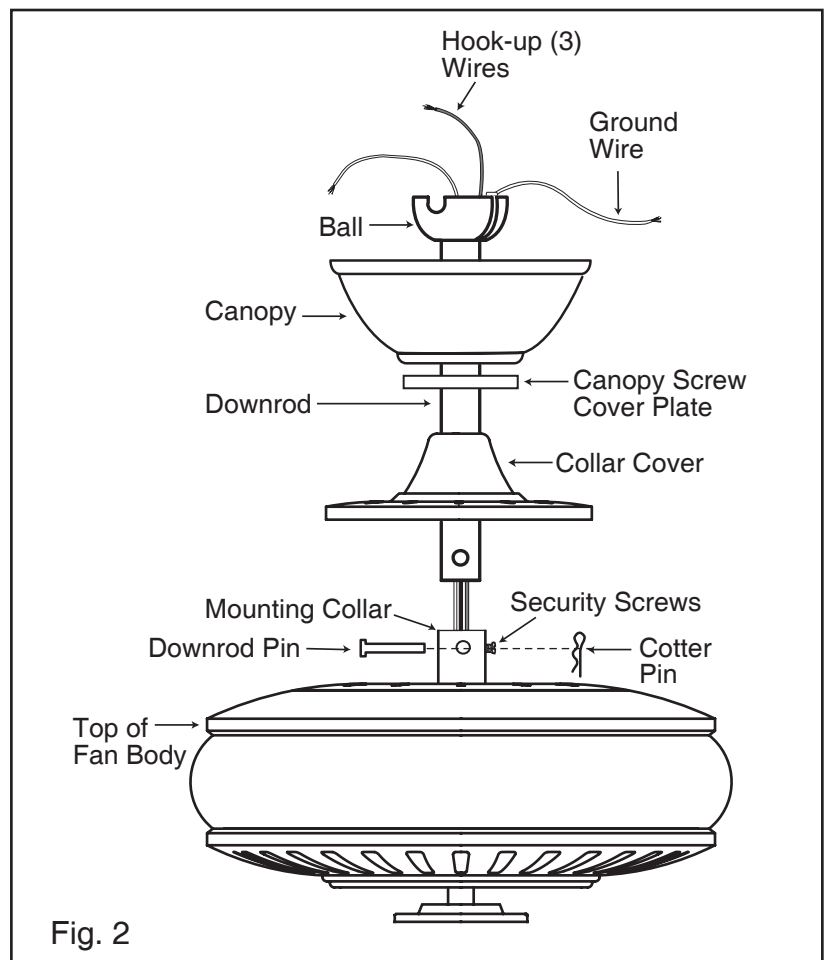
1. Locate ceiling joist where fan is to be mounted, being sure location agrees with the requirements in the minimum clearance section of this guide. Wood joist must be sound and of adequate size to support 35 lbs. (See Page 1, Items 3 and 4).
2. If not already present, mount a UL listed outlet box marked "suitable for fan support" following the instructions provided with the outlet box. The outlet box must be able to support a minimum of 35 pounds.
3. Attach hanger bracket to outlet box **using screws provided with the outlet box.**



1. Carefully support fan body (motor) in its styrofoam packing with the mounting collar (where the wires come out) facing upward.
2. Loosen the two set screws and remove the downrod pin and cotter pin from the top coupling of the motor assembly.
3. Remove ball from the downrod by loosening set screw in the side of the ball. Slide ball down and remove ball pin; remove ball.
4. Feed the wires from top of fan through end of the downrod of choice and set end of downrod into mounting collar so the hole in the downrod lines up with the hole in the side of the mounting collar.
5. Insert downrod pin through holes in mounting collar and downrod; slip cotter pin through small hole in end of downrod pin to hold downrod in place.
6. Tighten jam screws against downrod using a large flat blade screwdriver to ensure a tight fit against downrod. Tighten nuts against mounting collar.

NOTE: Fan has 6 feet of hook-up wire in case you are using a long extension downrod. Wires can be cut so only 8 inches or so extend beyond the top of the downrod to make the electrical connections easier and safer.

7. Feed wires through collar cover and slide collar cover down the downrod to top of fan.
8. Feed wires through canopy screw cover plate and canopy, then slide both over downrod to lay on top of collar cover. It will be attached to ceiling later.
9. Feed wires through ball and slide ball over downrod, past hole in the top end of the downrod. Insert ball pin (removed in step 3), slide ball up, and tighten set screw to secure ball in place.



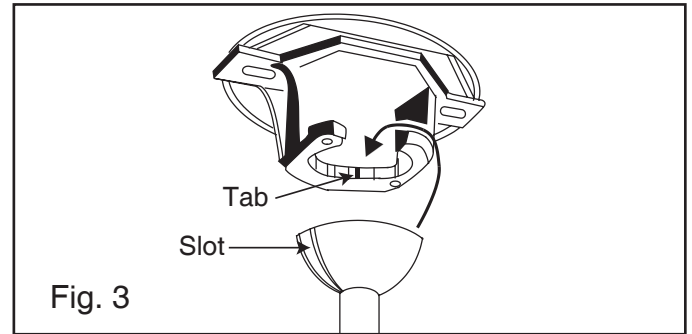
INSTALLING THE FAN



WARNING: To avoid damaging the blade arms and blades, do not install them onto fan until fan is fastened to ceiling.

1. Lift ball/downrod/fan into hanging bracket opening.

NOTE: The tab opposite hanging bracket opening should fit in slot on ball.

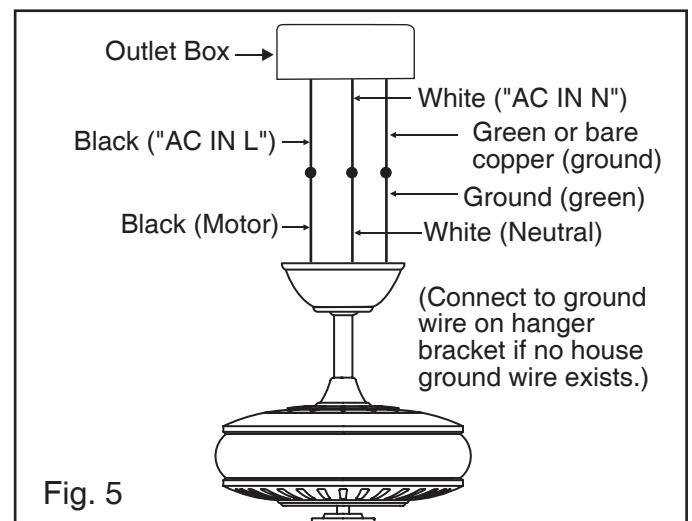
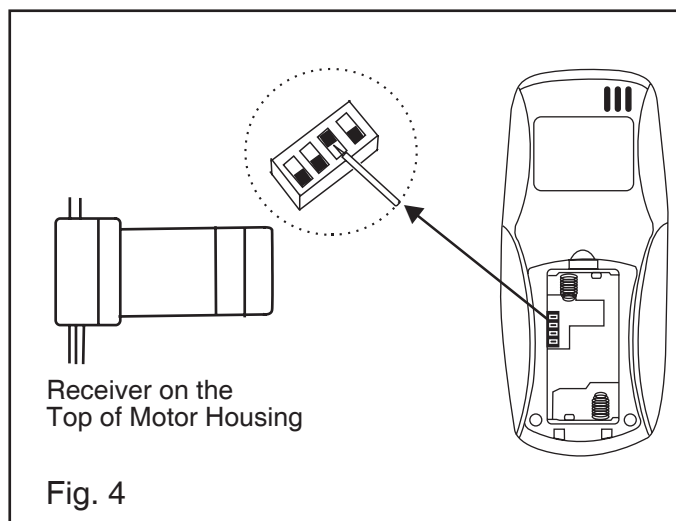


ELECTRICAL CONNECTIONS

WARNING: To avoid possible electrical shock be sure electricity is turned off at the main fuse or breaker box before wiring.

NOTE: Receiver in controller system features an automatic learning function. Turn the power on and press the speed button, the receiver will automatically search for the frequency from the control, in approximately 10 seconds. The control and receiver units included with your ceiling fan are equipped with 4 code combinations to prevent possible interference from or to other remote units. The frequency switches on your control transmitter have been preset at the factory. There are no frequency switches on the receiver, the receiver unit will automatically scan the frequency from the control if any changes are made. The frequency settings should be changed only in case of interference or if a second or more ceiling fans with the same type of control system are installed in the same structure. (Fig. 4)

1. Connect the fan supply (black) wire to the black household supply wire as shown in Figure 5.
2. Connect the neutral fan (white) wire to the white neutral household wire. (Fig. 5)
3. After all splices are made, check to make sure there are no loose strands. As an additional precaution we suggest to secure the plastic wire connectors to the wires with electrical tape.

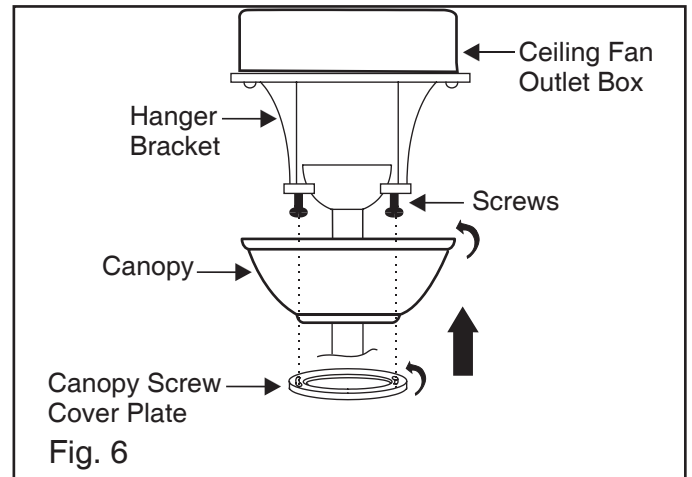


FINISHING THE INSTALLATION



1. Tuck connections neatly into ceiling outlet box.
2. Slide the canopy up to ceiling and over the 2 screws on the hanger bracket. Rotate canopy clockwise. Next, while holding the canopy with one hand, slide the canopy screw cover plate over the screws and rotate clockwise until tight. **NOTE:** adjust the canopy screws as necessary until the canopy and canopy screw cover plate are snug.

WARNING: Make sure the hook on the hanging bracket properly sits in the groove in the hanger ball before attaching the canopy to the bracket by turning the housing until it drops into place.



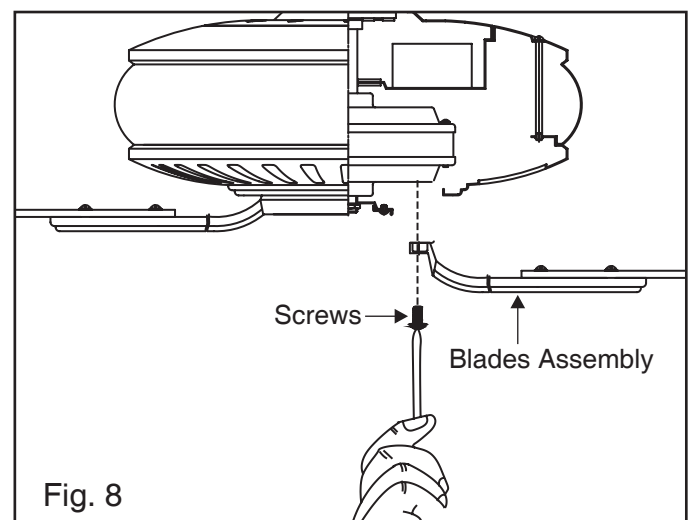
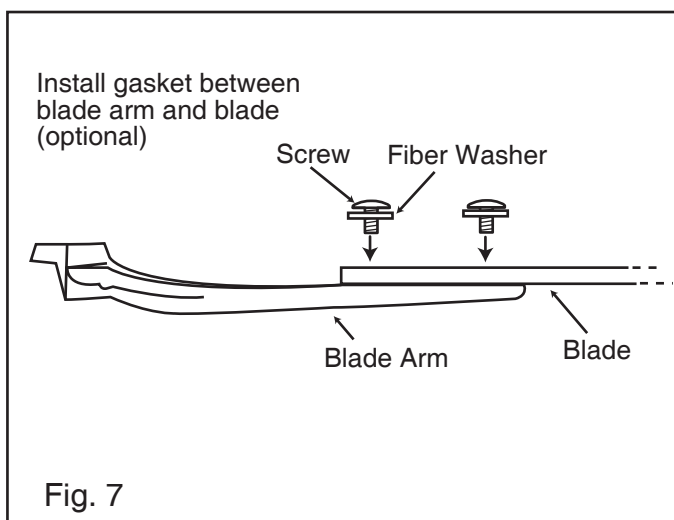
BLADE ATTACHMENT

1. Place fiber washer on screw. Insert this assembly through the blade and start the screw into the blade arm. Repeat this procedure without tightening the screw until all 3 screws have been started into the blade arm (Fig. 7).

NOTE: Fans that have painted finishes are packed with gaskets that can be used between the blade arm and blade to help prevent a clicking noise that may develop if blade screws loosen over time.

2. Tighten each screw starting with center screw.
3. Fasten blade assembly to motor with provided screws and lock lockwashers. Repeat procedure for remaining blades (Fig. 8). Make sure screws are **TIGHT!** Loose motor screws can contribute to unnecessary hum during operation.

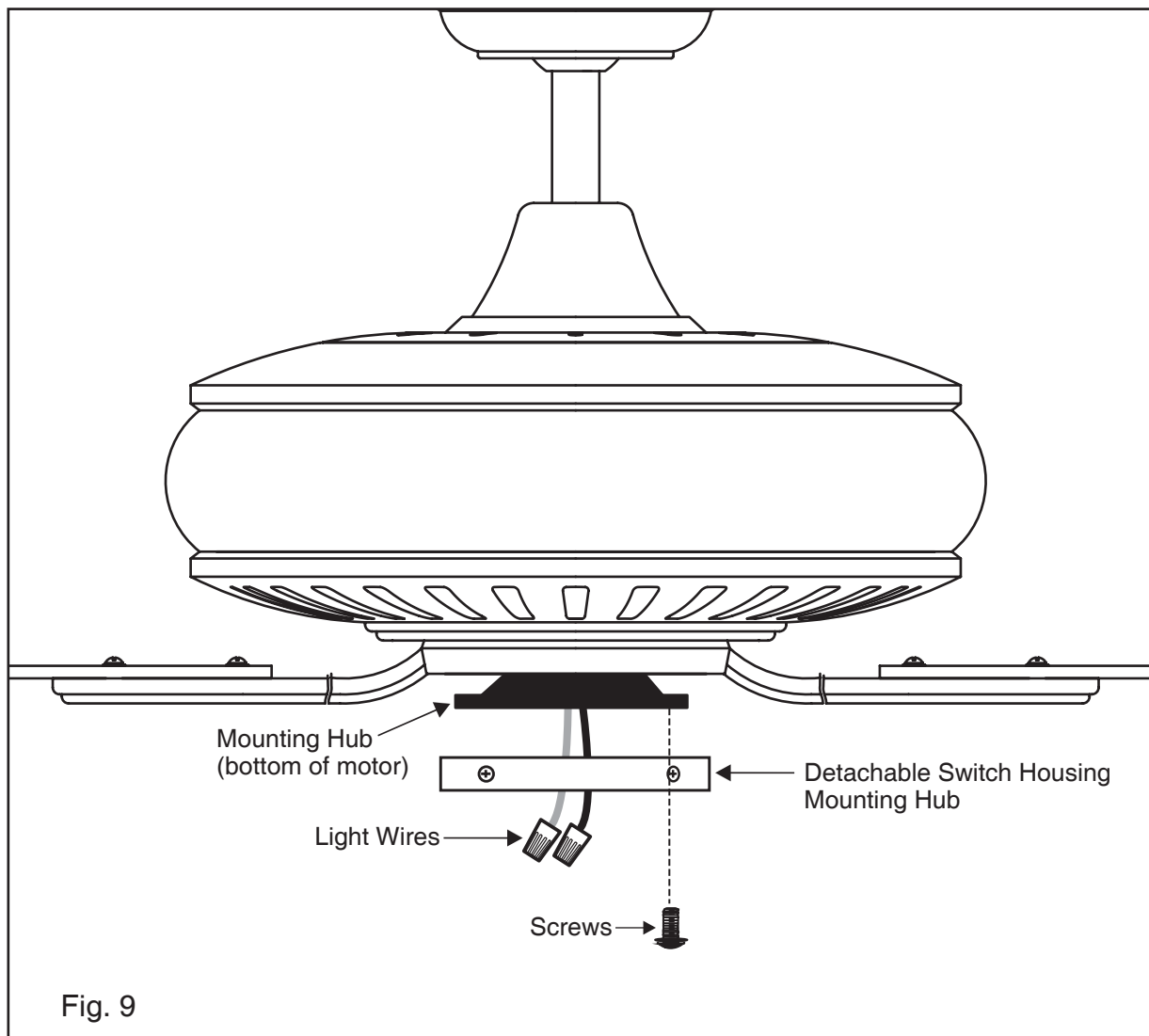
NOTE: Cordless power screwdrivers are **NOT** recommended, as they tend to strip the heads of the screws and usually will not fully compress the lock washers on the motor screws. Use a large flat blade screwdriver for final tightening to fully compress the washers. This will help ensure proper alignment of the blades and noise-free, wobble-free running.



INSTALLATION OF DETACHABLE SWITCH HOUSING MOUNTING HUB



1. Remove one of the three screws on the mounting hub located on the fan motor.
2. Loosen the other two screws.
3. Install detachable switch housing mounting hub to mounting hub.
4. Pass the 2 light wires through the center hole of the detachable switch housing mounting hub.
5. Line up the two slotted holes with the two loose screws on the mounting hub located on fan motor.
6. Re-install the third screw removed and tighten all three.



NOTE: Be sure the power is off before installing.

1. Loosen the 3 side screws on switch housing mounting hub halfway.
2. If installing light kit, carefully remove light kit plug in bottom of switch housing. Attach the light kit to the switch housing per instructions supplied with light kit. (Follow the instructions included with the kit.)
3. Attach the switch housing to the switch housing hub.
4. Align the side screws with keyhole slots on edge of switch housing and tighten the side screws.
5. Turn the power on. Your Regency Ceiling Fan is now ready to enjoy!

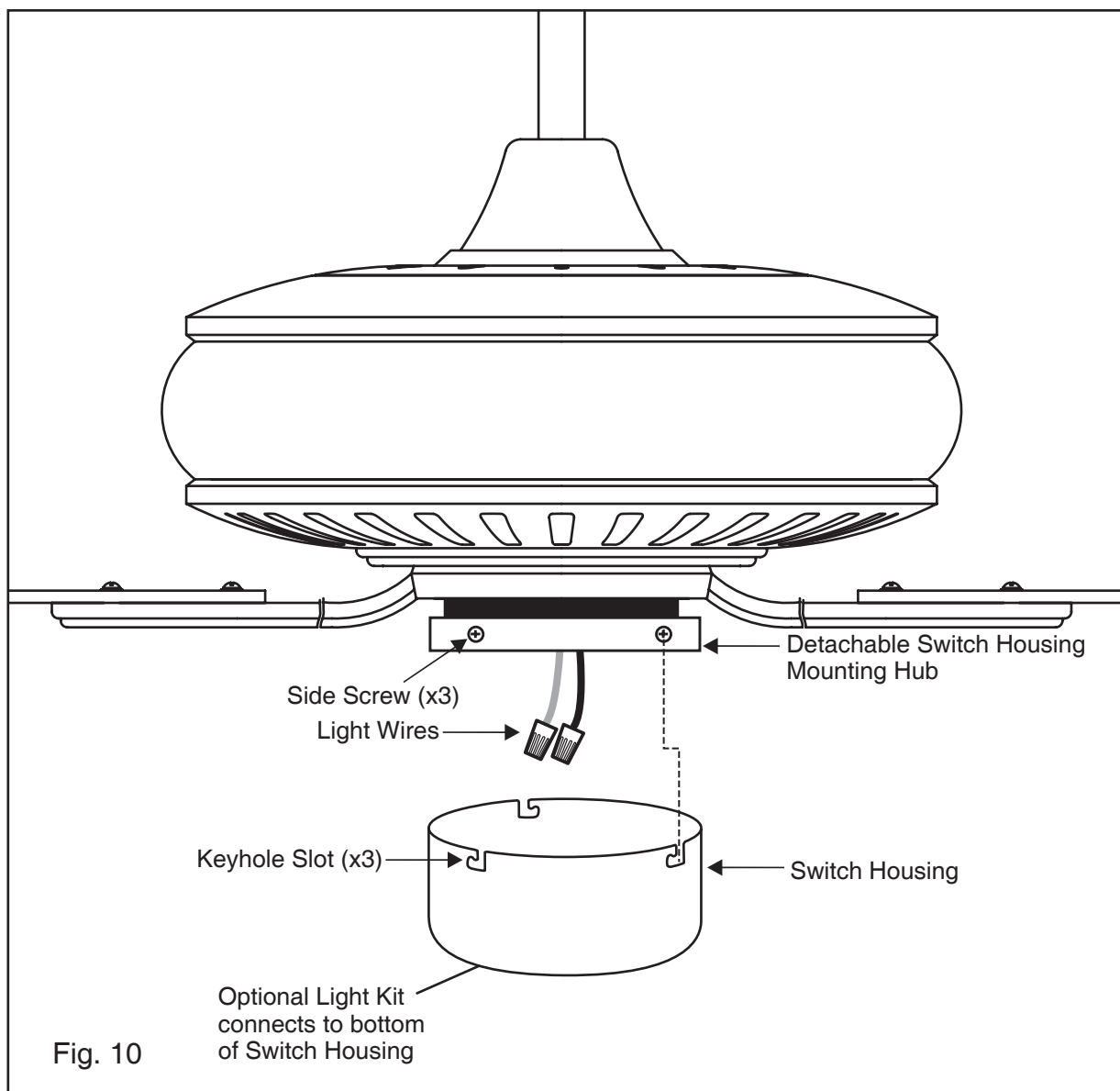


Fig. 10

Restore power to ceiling fan and test for proper operation.

Install the two "AAA" 1.5 volt batteries (not included). To prevent damage to transmitter remove the batteries if not used for long periods of time. (Fig. 11)

A.  Button:

This button is to start fan from low speed instead of previous speed setting.

 Range: Total 7 speeds from highest to lowest speed.

B. **M** Button:

Memory button (starts fan from last speed setting before fan was turned off).

C.  Button:

This button turns the fan off.

D.  Button:

This button turns the light ON or OFF and also controls the brightness setting. Press and release the button to turn the light ON or OFF. Press and hold the button to set the desired brightness. The light key has an auto-resume, it will stay at the same brightness as the last time it was turned off.

The light will cycle between the bright and dim settings as long as the button is kept pressed.

The light key has an automatic auto-resume feature that allows the light to remain at the same brightness as the last time it was turned off.

The light brightness is displayed on the LCD display in percentage numbers ranging from 100% to 20%.

E.  Button:

This button is used to change the direction of the rotation of the blades; forward for warm weather or reverse for warm weather.

F. **"LIGHT DELAY"** button:

Pressing this button activates the light delay function. The light will automatically shut off after 3 minutes.

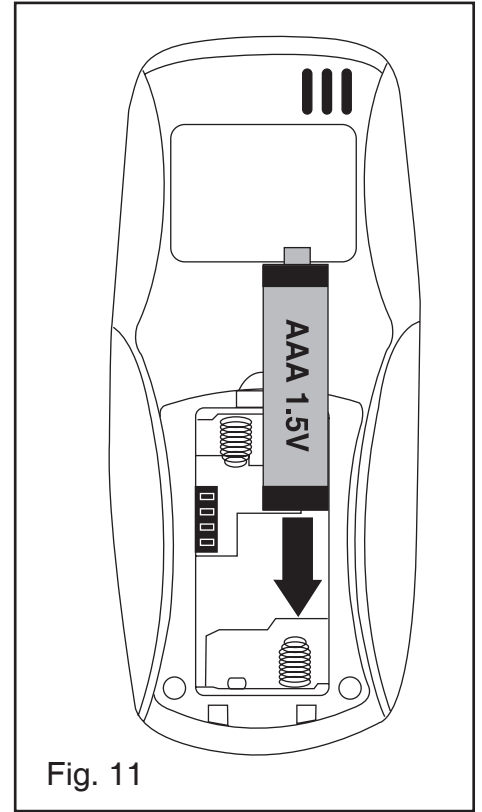


Fig. 11

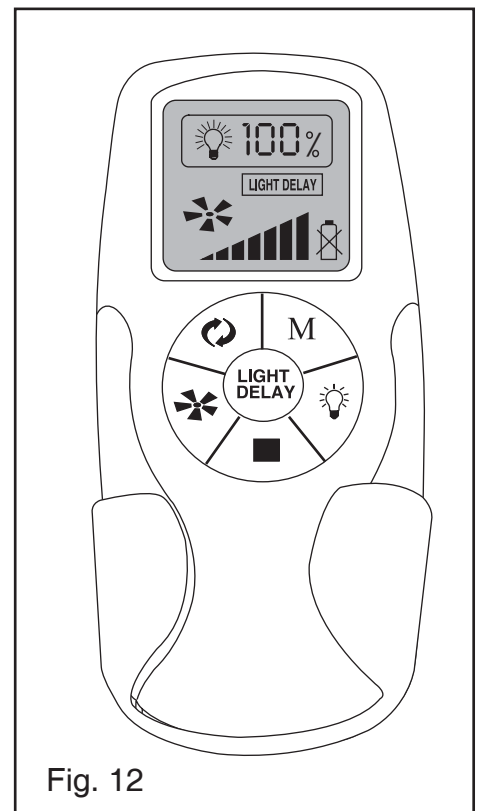


Fig. 12

Speed settings for warm or cold weather depend on factors such as room size, ceiling height and number of fans.

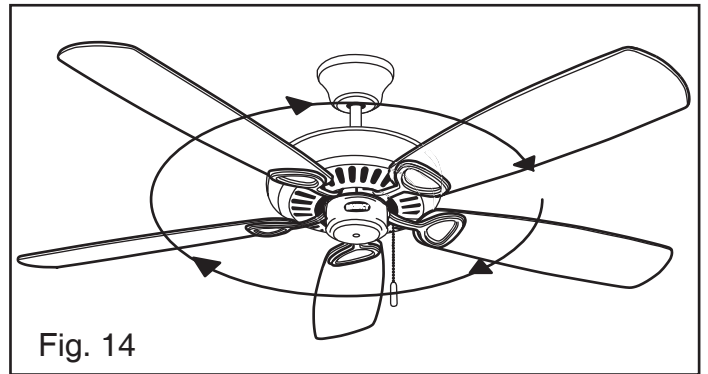
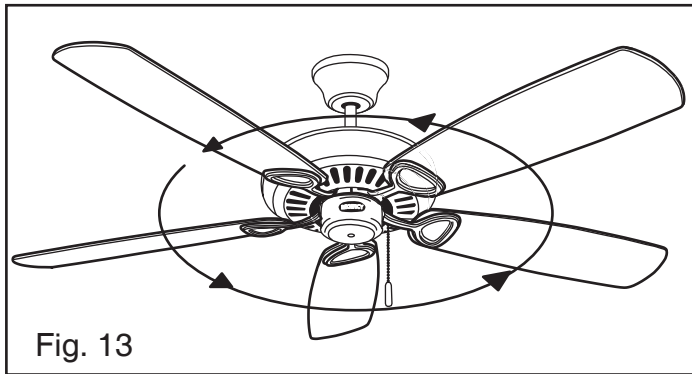
NOTE: To operate the reverse function on this fan, press the  button while the fan is running.

Warm Weather (forward):

A DOWNWARD airflow creates a cooling effect as shown in Figure 13. This allows you to set your air conditioner on a warmer setting without affecting your comfort.

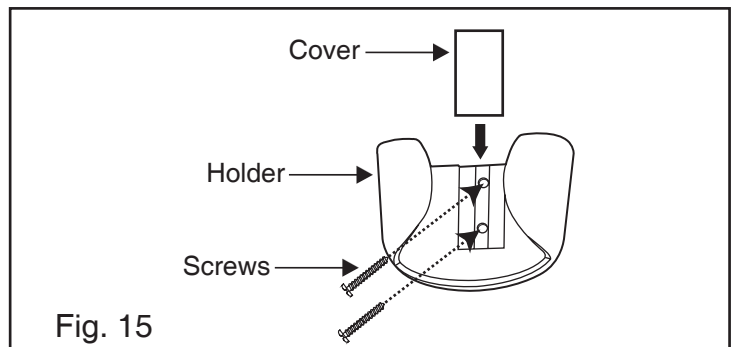
Cool Weather (Reverse):

An UPWARD airflow moves warmer air off the ceiling area as shown in Figure 14. This allows you to set your heating unit on a cooler setting without affecting your comfort.



INSTALLING THE TRANSMITTER HOLDER

1. Remove the cover from the holder.
2. Attach the holder with the two screws provided.
3. Replace the cover into holder.



Periodically it may be necessary to re-tighten blade to blade arm screws or blade arm to motor screws to prevent clicking or humming sound during operation. This is especially true in climates with broad temperature and humidity ranges.

When dusting the blades, you must support the blade to prevent bending - no pressure should be applied to the blades. If you experience any flaws in the operation of your fan, please check the following points.

TROUBLESHOOTING - IN CASE OF DIFFICULTY

CAUTION: Switch off power supply before carrying out any of these checks.

1. If fan will not start: Check main and branch circuit breakers and/or fuses. Check line wire connections to fan housing wiring. Make sure forward/reverse switch is set to one or the other position, not stuck in between. Confirm remote control/receiver is operating (refer to P.6)
2. If fan is noisy: Check and make sure that all screws in motor housing are snug (but not over tight). Check that the screws securing blade arms to the motor are tight. Check that wire connectors in switch housing are not rattling against each other or the interior wall of the switch housing. Check that all glassware is finger tight and that bulb(s) are well held in the sockets, if a light kit is used. Check that the canopy is firmly attached to hanging bracket and not vibrating against ceiling.
3. If fan wobbles: Check that all blades are firmly screwed into blade arms. Check that all blade arms are firmly secure to the motor. Check to make sure that light kit (if present) is firmly attached to switch housing and that all glassware and shades are fastened properly. Wobble can also result from even the smallest deviations in distance from blade tip to blade tip. If measurements from blade tip to blade tip are not equal, loosen screws connecting blade to blade arm one at a time and adjust blade(s) so that distances are equal. Interchanging adjacent blades may redistribute mass and result in smoother operation. Blade arms can be bent slightly to restore same pitch to all blades if a blade is different than the other blades when viewed edge on. Most wobble can be traced to a loose electrical box or mounting bracket. Make sure these are tight and the ball is completely seated in the bracket.

THANK YOU FOR PURCHASING A REGENCY CEILING FAN.

Write to us at:

Regency Ceiling Fans

P.O. Box 730

Fenton, MO 63026

Visit us on the Web at: www.regencyfan.com