

# REGENCY®

CEILING FANS

*Style that revolves around you.*

• CEILING FAN OWNER'S MANUAL •



• VOGUE •

8/06

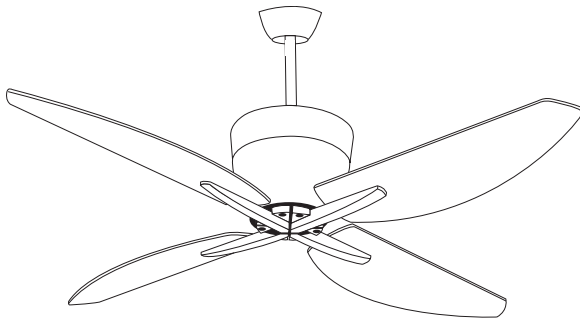
WARNING: Read and follow these instructions carefully and be mindful of all warnings shown throughout.

## IMPORTANT SAFEGUARDS:

---

1. To ensure the success of the installation, be sure to read the instructions and review the diagrams thoroughly before beginning.
2. To avoid possible electric shock, be sure electricity is turned off at the main power box before wiring. All electrical connections must be made in accordance with local codes, ordinances and/or the National Electric Code. If you are unfamiliar with the methods of installing electrical wiring and products, secure the services of a qualified and licensed electrician as well as someone who can check the strength of the supportive ceiling members and make the proper installation(s) and connections.
3. Make sure that your installation site will not allow rotating fan blades to come in contact with any object. Blades should be at least 7 feet from floor when fan is operating.
4. The fan should be mounted on a ceiling outlet box, an approved box UL listed as “suitable for fan support” is required. The box and its supporting members must be able to support the moving weight of the fan (at least 35lbs.). The box must not be able to twist or work loose. Installation on a concrete ceiling should be performed by qualified personnel.
5. Blades should be attached after motor housing is hung and in place. Fan motor housing should be kept in the carton until ready to be installed to protect its finish. If you are installing more than one ceiling fan, make sure that you do not mix fan blade sets, as each blade is part of a weighted set.
6. After making electrical connections, spliced conductors should be turned upward and pushed carefully up into outlet box. The wires should be spread apart with the common conductor and the grounding conductor on one side of the outlet box, and the “HOT” wires on the other side.
7. Electrical diagrams are for reference only.
8. After fan is completely installed, check to make sure that all connections are secure to prevent fan from falling and/or causing damage or injury.
9. The fan can be made to work immediately after installation - the bearings are adequately charged with grease so that, under normal conditions, further lubrication should not be necessary for the life of the fan.
10. The fan should be turned off and allowed to stop rotating before reversing fan direction.

## IMPORTANT SAFETY PRECAUTIONS



*Thank you for choosing a Regency Ceiling Fan.  
You have chosen the best!  
Your new ceiling fan has been designed to provide  
many years of service and enjoyment.*

### WARNINGS:

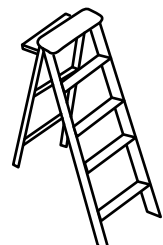
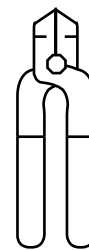
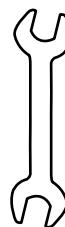
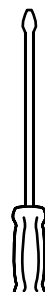
- \* **Disconnect power by removing fuse or turning off circuit breaker before installing the fan and/or optional lighting.**
- \* To reduce the risk of fire, electric shock, or personal injury, mount to outlet box marked “acceptable for fan support” and use mounting screws provided with the outlet box. Most outlet boxes commonly used for the support of lighting fixtures are not acceptable for fan support and may need to be replaced. Consult a qualified electrician if in doubt.
- \* To reduce the risk of fire, electrical shock, or personal injury, only use this fan with an appropriate speed control device designed for use with this ceiling fan.
- \* To reduce the risk of personal injury, do not bend the blade arms when installing or balancing the blades or cleaning the fan. Do not insert any objects between rotating fan blades.

### NOTE:

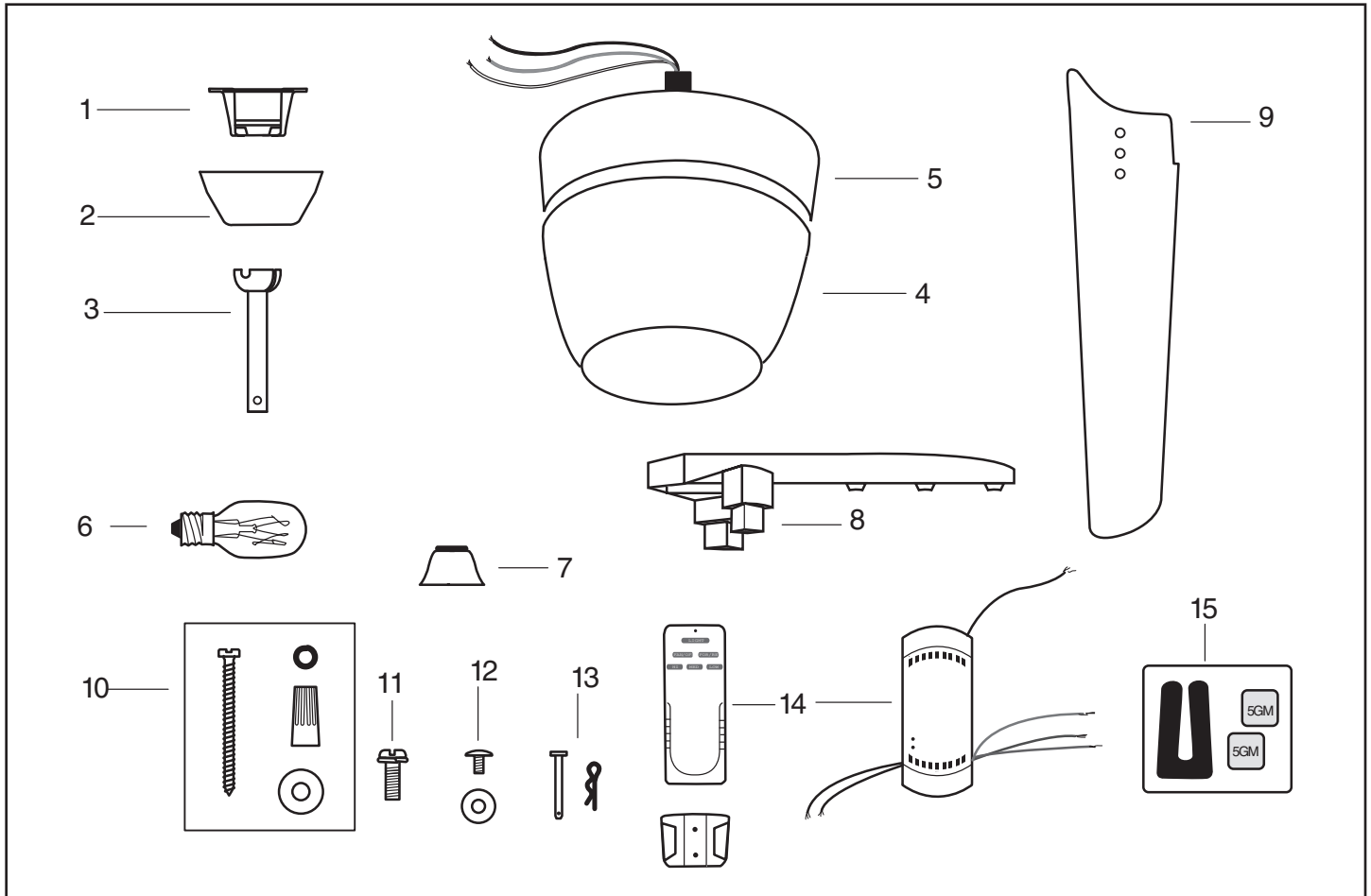
The important precautions, safeguards and instructions appearing in this manual are not meant to cover all possible conditions and situations that may occur. It must be understood that common sense, caution, and care are factors which cannot be built into this product. These factors must be supplied by the person(s) installing, caring for and operating the unit.

## TOOLS AND MATERIALS REQUIRED

- Phillips screwdriver
- Blade screwdriver
- Wrench or pliers
- Wire cutter
- Stepladder
- Wiring supplies as required by electrical code



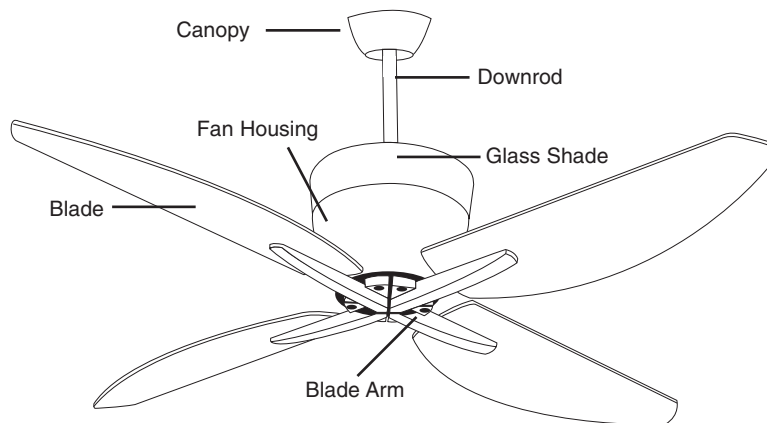
- Unpack your fan and check the contents. Do not discard the carton. If warranty replacement or repair is ever necessary, the fan should be returned in original packing. Remove all parts and hardware. Do not lay motor housing on its side, or the decorative housing may shift, be bent or damaged.
- Examine all parts. You should have the following:



- |   |  |
|---|--|
| <ol style="list-style-type: none"> <li>Hanging bracket</li> <li>Ceiling canopy</li> <li>Downrod/ball assembly</li> <li>Fan housing with motor (<b>Remove rubber shipping supports around motor, if included on your fan. Save screws.</b>)</li> <li>Glass shade with screws and rubber washer</li> <li>Four candelabra base (E12) 40W bulbs</li> <li>Decorative collar cover</li> <li>Blade arms (4)</li> </ol> | <ol style="list-style-type: none"> <li>Blades (4)</li> <li>Bracket hardware (wood screws, washers, wire nuts)</li> <li>Blade arm to motor screws (8)</li> <li>Blade to blade arm screws w/washers (12)</li> <li>Downrod pin and cotter pin</li> <li>Remote control transmitter and receiver w/wall holster</li> <li>Balance Kit</li> </ol> |
|---|--|

NOTE: Design of parts shown, may look slightly different for your specific model of fan.

## Parts identification on assembled fan



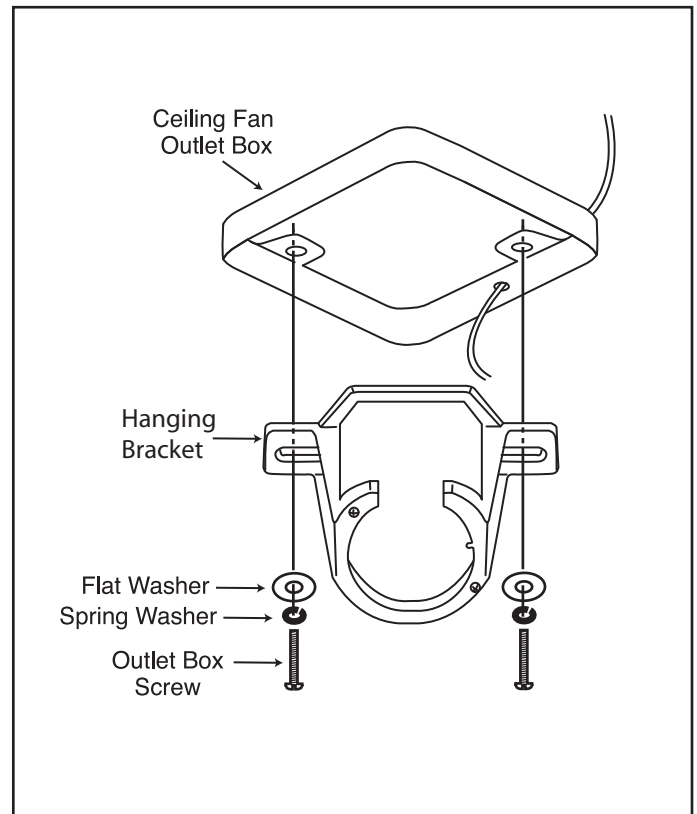
### PREPARATION:

Verify that you have all parts before beginning the installation. Check foam insert closely for missing parts. Remove motor from packing. To avoid damage to finish, assemble motor on soft padded surface or use the original foam inset in motor box. Do not lay fan on its side as this could result in shifting of motor in decorative enclosure.

## INSTALLING THE HANGING BRACKET

**Caution:** To avoid possible electrical shock, be sure electricity is turned off at the main power box before wiring. All wiring must be in accordance with National and Local Electrical Codes and the ceiling fan must be grounded as a precaution against possible electric shock.

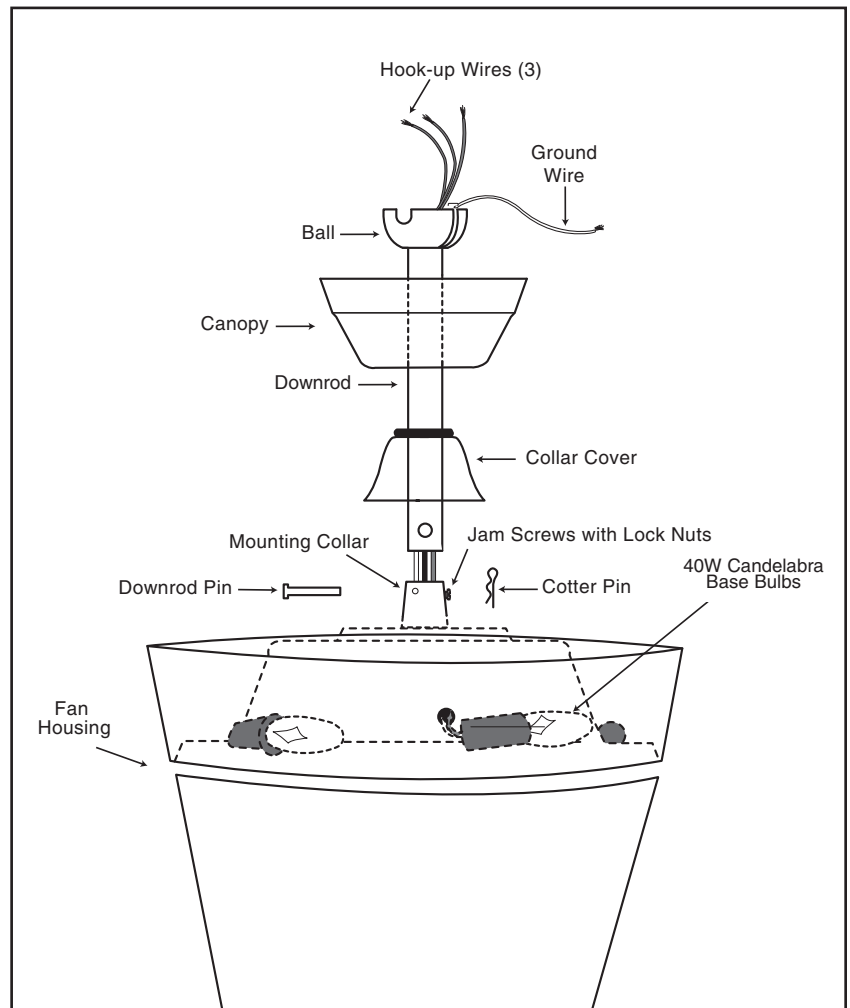
1. Locate ceiling area where fan is to be mounted, being sure location agrees with the requirements in the minimum clearance section of this guide. Mounting area must be sound and of adequate size to support 35 lbs. (see page 1, #4)
2. If not already present, mount a UL listed outlet box marked "suitable for fan support" following the instructions provided with the outlet box. The outlet box must be able to support a minimum of 35 pounds.  
Note: Do Not Use Standard Electrical Box
3. Attach hanging bracket to outlet box using screws provided with the outlet box.



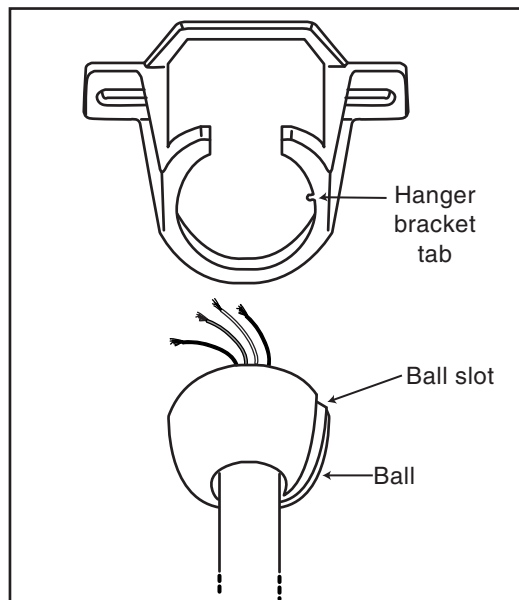
1. Carefully support fan housing (motor) in its styrofoam packing with the mounting collar (where the wires come out) facing upward.
2. Remove ball from downrod by loosening set screw in the side of the ball. Slide ball down and remove ball pin; remove ball.
3. Attach glass w/screws to the top of the motor housing.
4. Feed the wires from top of fan through the end of the downrod, and set end of downrod into mounting collar so the hole in the downrod lines up with the hole in the side of the mounting collar.
5. Insert downrod pin through holes in mounting collar and downrod and insert cotter pin to secure downrod.
6. Tighten jam screws against downrod using a large flat blade screwdriver to ensure a tight fit against downrod. Tighten lock nut to mounting collar.

NOTE: Fan has 6 feet of hook-up wire in case you are using a long extension downrod. Wires can be cut so only 8 inches or so extend beyond the top of the downrod to make the electrical connections easier and safer.

7. Feed wires through canopy and slide canopy over downrod to lay on top of collar cover. Canopy will be attached to ceiling later.
8. Feed wires through ball and slide ball over downrod, past hole in the top end of downrod. Insert ball pin (removed in Step 2), slide ball up and tighten set screw to secure ball in place.
9. Install 4 candelabra base bulbs (E12, 40W max) in top sockets.



1. Lift ball/downrod/fan into hanger bracket opening. NOTE: The tab opposite hanger bracket opening should fit in slot on ball.
2. Install remote control receiver (with codes set) and make wire connections, (refer to sections titled “Remote Control” and “Electrical Connections”).
3. Slide canopy up and fasten to hanger bracket with screws provided.



**WARNING:** To avoid damaging the blade arms and blades, do not install blades onto fan until fan is fastened to ceiling. If arms are bent or misaligned, excessive wobble may occur.

## GENERAL INFORMATION

Multiple code choices are included with your fan's remote control in case:

- you have more than one remote control fan and want them to respond only to their own remote control
- you have other radio controlled devices in your home that may interfere with the fan remote control (i.e. garage door opener)
- you experience radio interference on a chosen frequency (code setting)

## SET-UP AND OPERATING INSTRUCTIONS

### Setting the code:

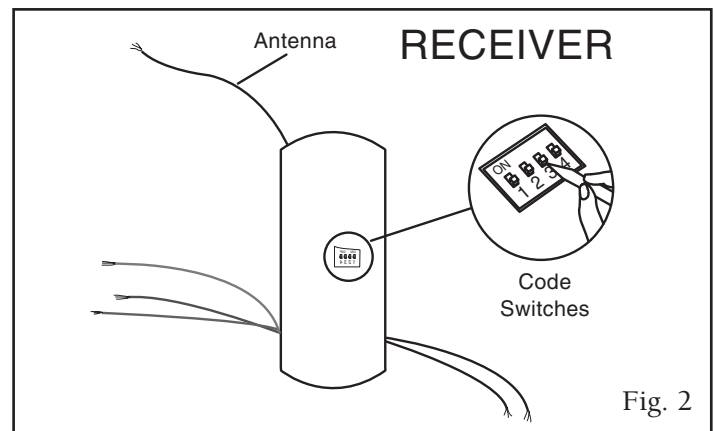
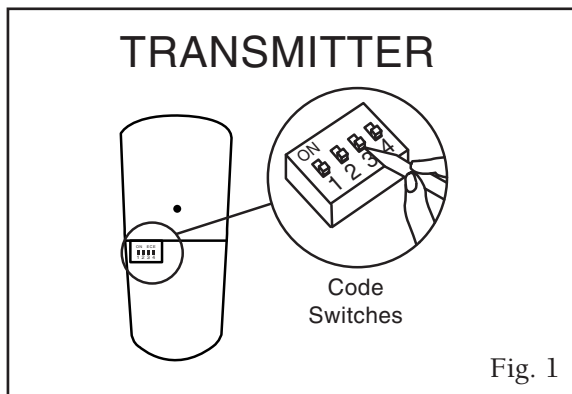
This unit has 16 different code combinations. To set the code, perform these steps:

#### 1. Setting the code on the TRANSMITTER [Fig. 1]:

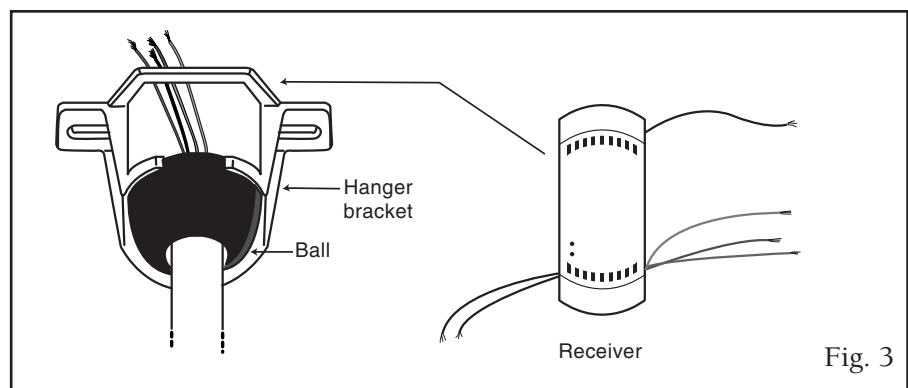
- Remove battery cover.
- Slide code switches to your choice of ON or OFF position. Use a small screwdriver or ball point pen to slide each switch firmly up or down.
- Install 9v battery (not included).
- Replace battery cover on transmitter.

#### 2. Setting the code on the RECEIVER [Fig. 2]:

- Locate the code switches on the bottom of the remote receiver.
- Slide code switches to the SAME POSITIONS as set on your transmitter.



After codes are set, install the receiver in the space above the ball in the hanger bracket [Fig. 3]. Be careful not to pinch any of the receiver's wires.



**\* Be sure electricity is turned off at the main power box before wiring.\***

Three wires are connected to the fan (plus the ground wire).

Black - the “hot” power to run fan.

White - the “common” power to run fan and light, also referred to as “AC neutral”.

Blue - the “hot” power for upper light.

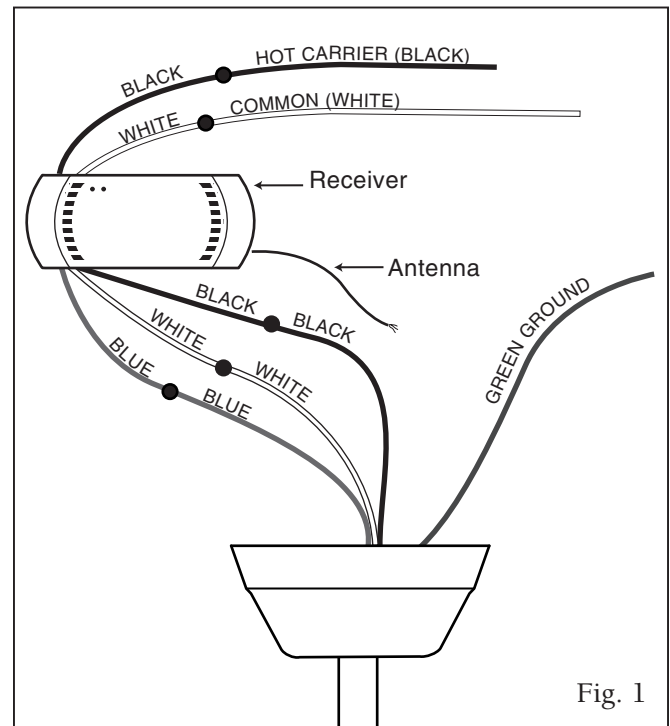
Green - ground wire.

Five wires are connected to the remote control receiver.

Three will connect to the three wires coming out of the fan (matching color to color) and the remaining black wire and white wire will connect to the building AC circuit.

**BE SURE ELECTRICITY IS TURNED OFF AT THE MAIN POWER BOX BEFORE WIRING.**

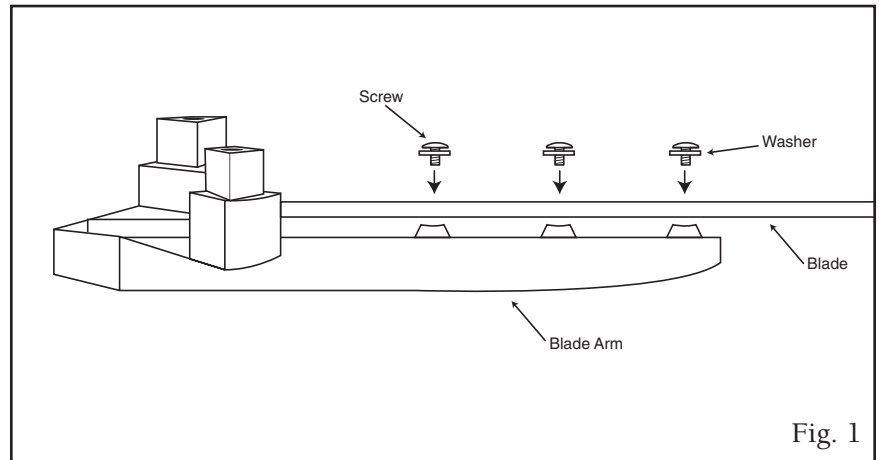
Connect five power wires as shown [Fig. 1], using wire nuts provided. Connect green ground wire to building ground wire circuit. Extend antenna wire inside canopy, but do not attach to any other wire.



NOTE: If power to the fan’s electrical ceiling box is controlled by a wall switch, the wall switch must remain ON for the radio remote control to operate. Turning the wall switch OFF will turn off all fan/light functions and resets the receiver back to default mode. The wall switch will need to be turned back ON to allow use of remote control.

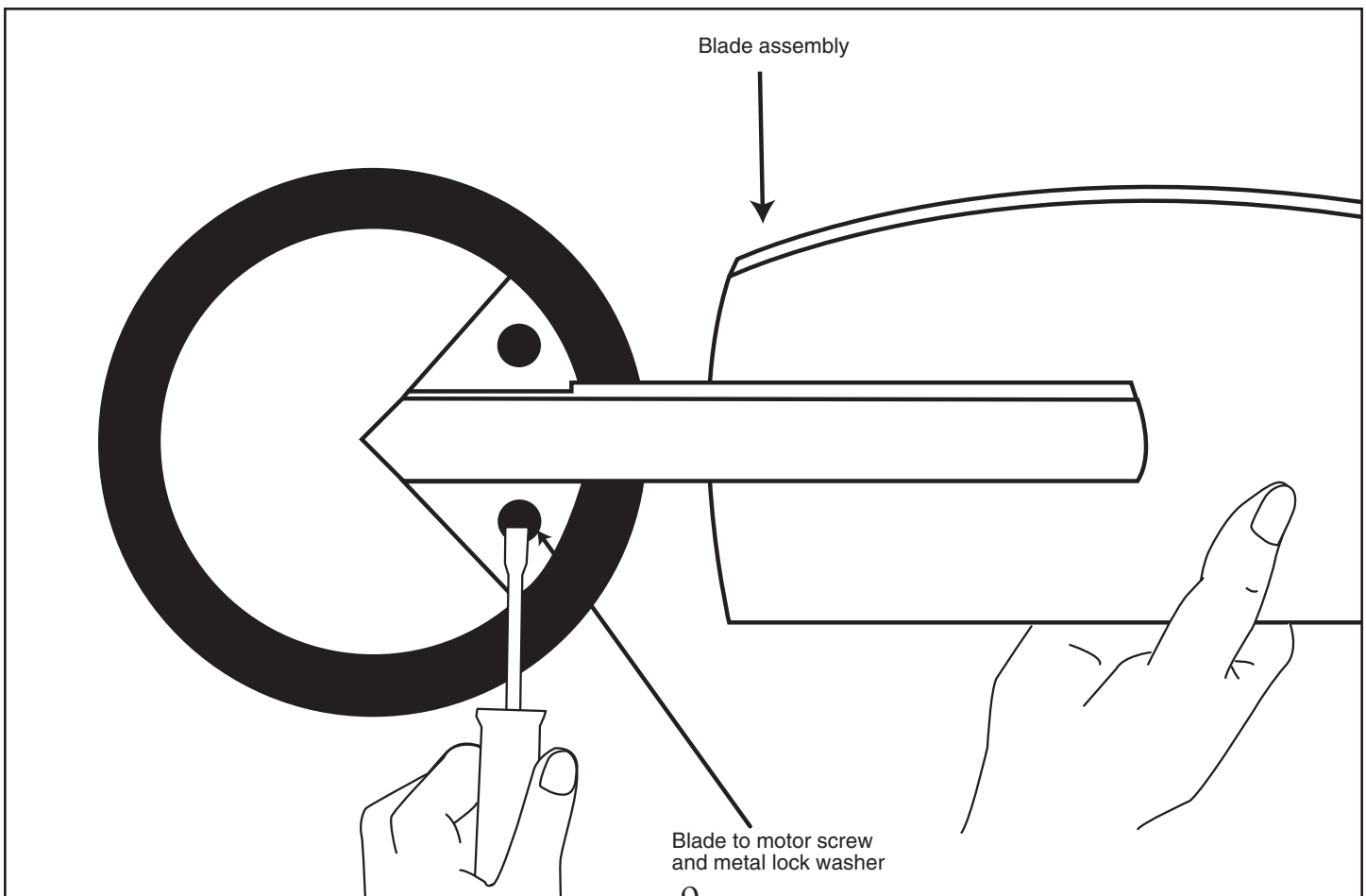
\* Restore power by replacing fuse or resetting circuit breaker ONLY AFTER ALL INSTALLATION AND ELECTRICAL WORK IS COMPLETED AND DOUBLE-CHECKED.

1. Place washer on screw. Insert this assembly through the blade and start the screw into the blade arm. Repeat this procedure without tightening the screw until all 3 screws have been started into the blade arm (Fig. 1).
2. Tighten each screw, starting with center screw.
3. Fasten blade assembly to motor with provided screws and metal lockwashers (Fig. 2). repeat procedure for remaining blades. Make sure screws are TIGHT!



Loose motor screws can contribute to unnecessary hum and wobble during operation.

NOTE: Cordless power screwdrivers are NOT recommended, as they tend to strip the heads of the screws and usually will not fully compress the spring washers on the motor screws. Use a large flat blade screwdriver for final tightening to fully compress the spring washers. This will help ensure proper alignment of the blades and noise-free, wobble-free running.



## OPERATING BUTTONS ON THE TRANSMITTER

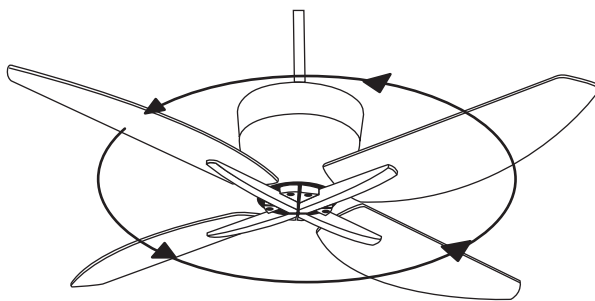
- HI – fan high speed
- MED – fan medium speed
- LOW – fan low speed
- FAN/OFF – fan speed off
- LIGHT – light brightness and off function for uplight
- FOR/REV – forward and reverse

- The light functions are controlled by pressing the light button. Tap button quickly to turn light off or on. Push the button once and release to turn the light on to full brightness. Hold the button down to increase or decrease light brightness. Release the button at the desired light brightness and that setting will be remembered the next time the light is turned on. The pre-set brightness can be changed by holding down the light button again until the new desired brightness is reached.

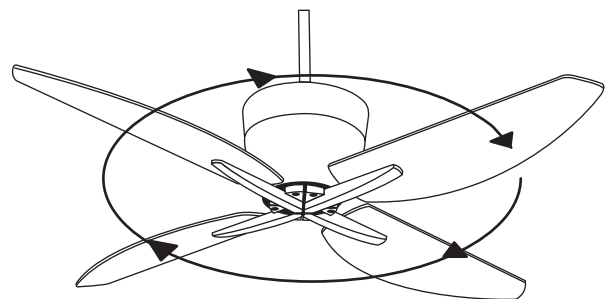
NOTE: If power is lost to the fan receiver, the memory will be lost and all settings will return to the default.

- Keep pressing the button for more than one second to dim the light and vary it cyclically from dim to bright and back again.
- Range of the transmitter is approximately 25 ft.
- Forward/Reverse Direction:  
*Forward* is a counterclockwise rotation of the blades when viewed from beneath the fan. This will create a downward breeze that can be felt below the fan. This is the normal direction for the fan to run when the weather is warm.  
*Reverse* (clockwise) will draw air up through the blades and towards the ceiling, down the walls, and into the living space during the cooler months.

**IMPORTANT: To prevent damage or cause injury, be sure that fan is switched to off and blades have stopped moving completely before attempting to change direction of rotation.**



WARM MONTHS  
Forward (counterclockwise)



COOL MONTHS  
Reverse (clockwise)

Periodic cleaning of your new ceiling fan is about the only maintenance that is needed. Only use a soft brush or lint free cloth to avoid scratching the finish. DO NOT use water when cleaning your ceiling fan. It could damage the motor or the blades and/or create the possibility of electrical shock.

Periodically it may be necessary to re-tighten blade to blade arm screws or blade arm to motor screws to prevent clicking or humming sound during operation. This is especially true in climates with broad temperature and humidity ranges and in fans with painted or high gloss blades.

When dusting the blades, you must support the blade to prevent its bending - no pressure should be applied to the blades. If you experience any flaws in the operation of your fan, please check the following points:

## TROUBLESHOOTING - IN CASE OF DIFFICULTY

**CAUTION:** Switch off power supply before carrying out any of these checks.

### If fan will not start:

- Check main and branch circuit breakers and/or fuses.
- Check line wire connections to fan and switch housing wiring.
- Make sure a fresh battery is in the remote control transmitter.
- Make sure the codes on both the transmitter and receiver are set the same.
- Fully extend the receiver antenna inside of canopy.

### If fan is noisy:

- Check that all screws in motor housing are snug (but not overtight).
- Check that the screws securing blades to the motor are tight.
- Check that wire connectors in the canopy are not rattling against each other or the interior wall of the canopy.
- Check that all glassware screws are finger tight and that bulb(s) are well held in the sockets.
- Check that the canopy is firmly attached to hanging bracket and not vibrating against ceiling.

### If fan wobbles:

- Check that all blades are firmly screwed into blade arms.
- Check to make sure that all glassware and shades are fastened properly, if applicable.
- Wobble can also result from even the smallest deviations in distance from blade tip to blade tip - if measurements from blade tip to blade tip are not equal, loosen screws connecting blade to bracket one at a time and adjust blade(s) so that distances are equal. Interchanging adjacent blades may redistribute mass and result in smoother operation.
- Check to make sure that all hanger bracket screws and electrical box fasteners are tight. If electrical box is not tight to the building, the whole fan, bracket, and electrical box may be moving as a result of the wobble. This can be dangerous if the electrical box should work loose from the building.

Visit [www.regencyfan.com](http://www.regencyfan.com)

# THANK YOU FOR PURCHASING A REGENCY CEILING FAN.

Write to us at:  
Regency Ceiling Fans  
P.O. Box 730  
Fenton, MO 63026

For additional troubleshooting tips,  
visit us on the Web at: **[www.regencyfan.com](http://www.regencyfan.com)**